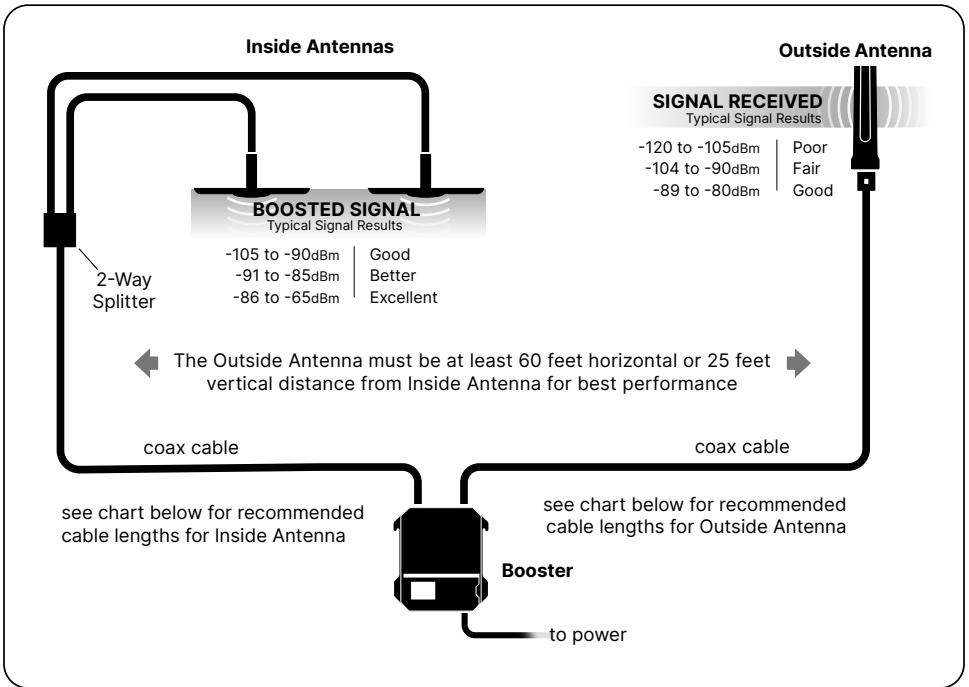


# Office 300 Installed

Discard After Installation

# we:boost



## RECOMMENDED CABLE LENGTHS BASED ON OUTSIDE SIGNAL STRENGTH

OUTSIDE SIGNAL STRENGTH	MAX CABLE LENGTH
-90 dBm	100 feet
-80 dBm	125 feet
-70 or higher	150 feet

Note: Minimum coax cable length for Outside Antenna is 20 feet.

## LIGHT PATTERNS

Use the color LCD to verify each band is green. If there is a band that is not green, tap it to see troubleshooting guidance.

### LCD Touchscreen Off

If the Signal Booster's light is off, verify your power supply has power.

## TROUBLESHOOTING

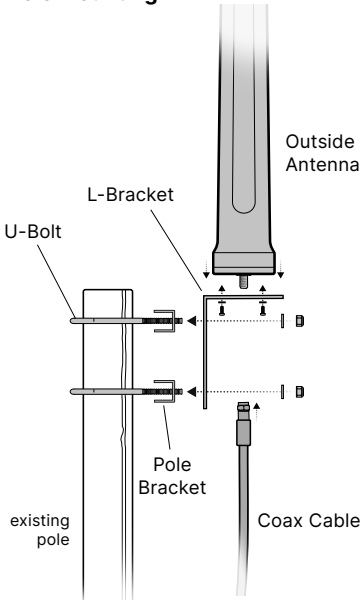
If you are happy with the coverage, these light issues don't have to be resolved. The carrier's band has not been affected.

### Fixing Any Red Light Issues

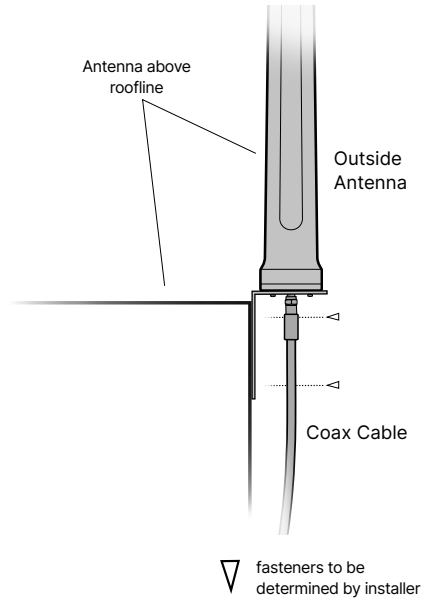
- Verify the Inside Antenna is at least 24" from the Booster.
- Tighten all cable connections (be sure to handtighten only, do NOT use tools). You may want to undo and redo the connection completely. Unplug and re-plug in power supply.
- Increase the distance (horizontally or vertically) between the Outside and Inside antenna. Un-plug and re-plug in power supply.

## MOUNTING OUTSIDE ANTENNA

### Pole Mounting



### Flush Mounting



# we:boost



3301 East Deseret Drive, St. George, UT

📞 1-866-294-1660 🌐 [www.weboost.com](http://www.weboost.com) 📧 [support@weboost.com](mailto:support@weboost.com)

Copyright © 2024 weBoost. All rights reserved.  
weBoost products covered by U.S. patent(s) and pending application(s)  
For patents go to: [weboost.com/us/patents](http://weboost.com/us/patents)

GDE000615\_Rev01\_06.27.24